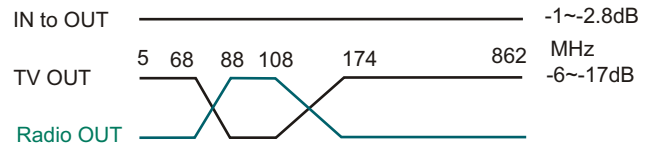


GATV / MATV PASSIVE DEVICES

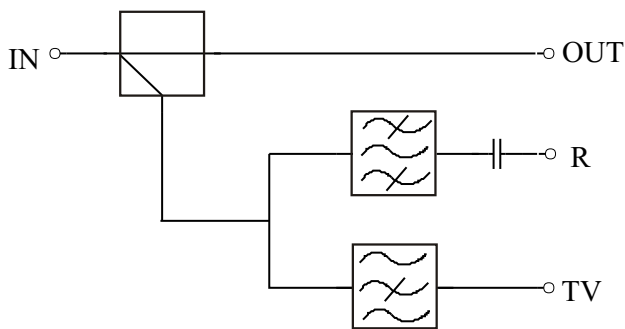
Diplexed TV Wall Outlet Socket, Loop-Through Type



TF-73-6 (8, 10, 13, 17)R

Features :

- Built-in diplexers to separate radio and TV bands
- 2 output ports dedicated for radio and TV signals
- Single coaxial cable conveys all signals
- Designed for "Loop-Through" distribution connection
- 5 different tap values available
- RFI shielding & zinc diecasted case integrated with connectors



CATV/SMATV-PASSIVE DEVICES

Diplexed TV Wall Outlet Socket, Loop-Through Type

Specifications :

Description		Freq. (MHz)	6R	8R	10R	13R	17R	
Insertion Loss (dB)	IN - OUT	5 ~ 300	2.4 1.0	1.6 0.8	1.4 0.8	1.2 0.8	1.0 0.6	
		300 ~ 862	2.8 1.0	2.2 1.0	1.8 1.0	1.4 1.0	1.2 0.8	
	IN - TV	5 ~ 68	6.5 1.5	8.0 1.5	10.0 1.5	13.0 1.5	17.0 1.5	
		174 ~ 862	6.0 1.5	8.0 1.5	10.0 1.5	13.0 1.5	17.0 1.5	
	IN - R	87.5 ~ 108	6.5 1.5	8.0 1.0	10.5 1.0	13.5 1.0	17.0 1.5	
Isolation (dB)	TV - R	5 ~ 68	10 min.	10 min.	10 min.	10 min.	10 min.	
		87.5 ~ 108	20 min.	22 min.	22 min.	22 min.	22 min.	
		174 ~ 862	25 min.	25 min.	25 min.	25 min.	25 min.	
	TV - TV	5 ~ 47	30 min.	36 min.	40 min.	40 min.	40 min.	
		47 ~ 862	34 *	40 *	46 *	46 *	46 *	
		R - R	87.5 ~ 108	34 min.	40 min.	40 min.	40 min.	40 min.
Return Loss (dB)	IN	5 ~ 68	12 min.	15 min.	15 min.	12 min.	15 min.	
		87.5 ~ 108	17 *	17 *	17 *	17 *	17 *	
		174 ~ 862	17 *	17 *	17 *	17 *	17 *	
	OUT	5 ~ 47	12 min.	15 min.	15 min.	12 min.	15 min.	
		47 ~ 862	10 min.	15 *	17 *	17 *	17 *	
	TV	5 ~ 68	8 min.	6 min.	8 min.	8 min.	8 min.	
		174 ~ 862	8 min.	8 min.	8 min.	8 min.	8 min.	
		R	87.5 ~ 108	8 min.	8 min.	8 min.	8 min.	
	Impedance			75				
	Connectors	IN / OUT	Terminal Block					
TV		"ICE" Male						
Radio		"ICE" Female						
Screening (dB)			VHF > 75 & UHF > 65					
Dimensions (with connectors)			69.4 x 69.4 x 30.1 mm					
Weight			120 g					

*at 47MHz -1.5dB/oct.

Specifications are subject to change without notice.