

DSP20

Programmable Multiband Amplifier

- ✓ **Can be remotely power by the coaxial cable***
- ✓ **32 High Selectivity channel filters with ACG**
- ✓ **Lte 5G SAW filter inputs protection**
- ✓ **DTT channel AutoTuning function**
- ✓ **Die casting zamak chassis**
- ✓ **External power supply**
- ✓ **On board and Windows/Android fully programmable**



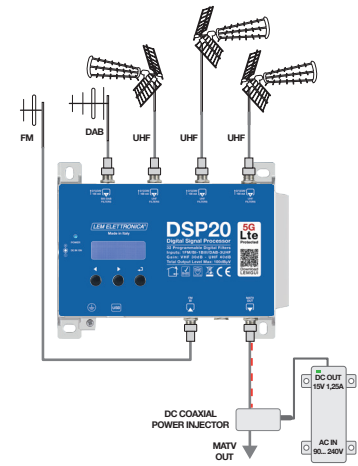
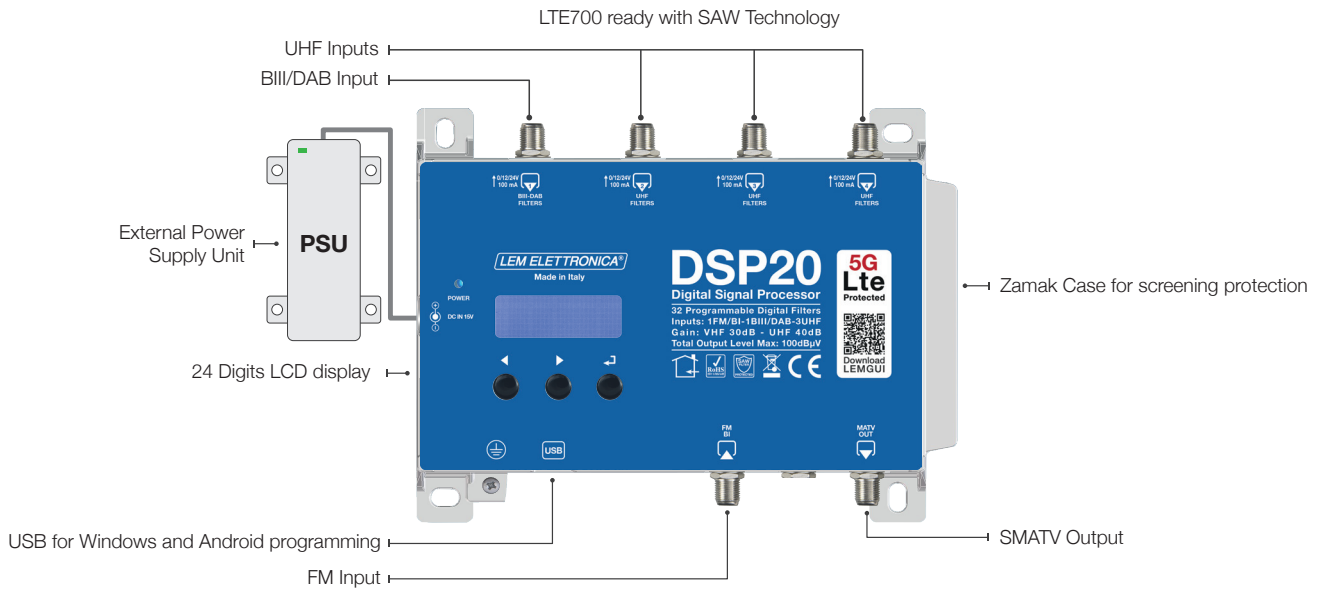
Programmable compact multi-input multiband amplifier to digitally filter, convert and equalize DVB-T / T2 channels. The built in high output amplifier allow the use in small and medium multi dwelling units.

* Require DC coaxial injector sold separately



| MODEL | | DSP20 |
|------------------------------------|------|--|
| NUMBER OF INPUTS | | 5 |
| INPUTS FREQUENCY RANGE | MHz | FM (40... 108) BIII (170... 230) / DAB (170... 240) UHF (470... 790) |
| LTE PROTECTION | | LTE790 |
| SINGLE CHANNEL FILTERS | | 32 |
| NUMBER OF CHANNEL PER FILTERS | | 1... 2 |
| INPUT LEVEL RANGE | dBµV | FM 35... 90 - BIII/DAB 45... 110 - UHF... 45... 100 |
| BI/FM INPUT ATTENUATOR | dB | 0/-12/-24 |
| BIII/DAB INPUT AMPLIFIER | dB | 0/+20 (OFF/ON) |
| UHF INPUT AMPLIFIER | | 0/+10 (OFF/ON) |
| BIII/DAB - UHF INPUTS A.C.G. RANGE | dB | 40 dB |
| DIGITAL FILTERS SELECTIVITY | dB | 35 @1MHz |
| VHF GAIN | dB | 35 |
| UHF GAIN | dB | 45 |
| OUTPUT LEVEL RANGE | dBµV | 70... 90 |
| BIII/DAB ADJUSTABLE SLOPE | dB | 0... -10 |
| UHF ADJUSTABLE SLOPE | dB | 0... -5 |
| MAX VHF-UHF OUTPUT LEVEL | dBµV | 100 (IM3 DIN 45004B - 60 dBc) |
| MAX OUTPUT LEVEL WITH 6 MUX | dBµV | 90 |
| RETURN LOSS IN/OUT | dB | >12 |
| USB CONNECTOR | | USB 1.0 / 2.0 Type B |
| REMOTE POWER SUPPLY VHF-UHF | | 12V / 24V 100 mA |
| MAXIMUM CONSUMPTION | | 15Vcc 0,53A - 8W |
| OPERATING TEMPERATURE | °C | -5... 50 |
| DIMENSIONS | mm | 193 x 148 x 36 |

Connection Diagram



AutoTuning Function

For faster programming operations just run the AutoTuning function and in few seconds DVB-T/ T2 channels will be detected by level and a filter will be automatically allocated for each MUX.

DSP35 power supply through the MATV OUT.

Three different programming mode



Direct Programming

All settings can be selected and adjusted with the easy to use built-in 24 digits display.



Windows Application Programming

PC Windows can easily be used to setup, store and retrieve all settings through a standard USB cable.



Android Application Programming

Android tablet or smart phone supporting USB OTG mode can be used to setup, store and retrieve all settings.