



Indoor RF passives

Double Galvanic Isolators **GISX-100**

GISX-100 is a stand-alone Galvanic Isolator having an innovative design which allows easy installation. The device conforms to IEC60728-11 Safety Requirements and is optimised for Cenelec Class A++ within LTE band.

Features

- Bandwidth 5-1700 MHz
- Innovative design giving superior performance in a small, easy to install housing
- Very low safety leakage current (Max. 2mA @ +5 to 30°C)
- 100% HI-POT test in production
- Housing is plated with white bronze

One of Teleste's unique and award winning superior performance passives designed for easy installation and reliability.

TELESTE

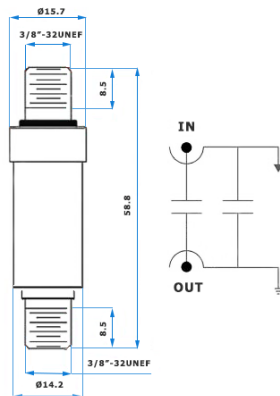
INDOOR RF PASSIVES / GISX-100

ELECTRICAL SPECIFICATIONS				
INSERTION LOSS (dB, Max.) - IN to OUT			RETURN LOSS (dB, Min.) - ALL	
Frequency (MHz)	QA/TYP		Frequency (MHz)	QA/TYP
5 - 470	0.5/0.2		5 - 1000	18.0/20.0
470 - 862	0.5/0.4		1000 - 1700	16.0/20.0
862 - 1000	1.0/0.4			
1000 - 1700	1.3/0.5			
ELECTROMAGNETIC COMPATIBILITY (dB, Min.) ⁽¹⁾			INTERMODULATION DISTORTION (dBc, Min.) ⁽³⁾	
Frequency (MHz)	0 to +30°C	-20 to +30°C	P + Q	-120.0
	QA/TYP	QA/TYP		-120.0
5	60.0/70.0	60.0/65.0		
6 - 7.9	70.0/75.0	70.0/70.0		
8 - 9.9	80.0/80.0	70.0/78.0		
10 - 12	85.0/85.0	80.0/83.0		
12 - 300	85.0/90.0	85.0/85.0		
300 - 470	80.0/90.0	80.0/90.0		
470 - 700	75.0/85.0	75.0/85.0		
700 - 862 ⁽²⁾	95.0/105.0 ⁽²⁾	95.0/105.0 ⁽²⁾		
862 - 1000	75.0/85.0	75.0/85.0		
1000 - 1700	55.0/60.0	55.0/60.0		
GENERAL SPECIFICATIONS				
Frequency range (MHz)	5 - 1700 MHz		Nominal Impedance	75 Ohm
Dimensions (L x W x D)	15.7 x 58.8 mm		Weight	0.030 kg
Operating temperature			-20 ° to +40 °C	
Safety Isolation	2120 VDC	Inner conductor Input to Inner conductor Output Leakage current ≤ 0.7 mA, ≥ 1 minute Outer conductor Input to Outer conduct Output Leakage current ≤ 0.7 mA, ≥ 1 minute		
	230 VAC RMS, ⁽⁴⁾ 50/60 Hz	Inner conductor Input to Inner conductor Output Leakage current ≤ 8.0 mA RMS Outer conductor Input to Outer conduct Output Leakage current ≤ 8.0 mA RMS		

NOTES

- (1) EMC, exceeding Class A acc. to IEC 60728-2. Transfer Impedance Method 5-30 MHz, Absorption Clamp Method 30-1000 MHz and CoMeT Triaxial Cell Method 1000-1700 MHz.
 (2) Superior LTE Performance.
 (3) The inner and outer connections within this device are capacitively coupled and have no ferrite baluns, thus voltage impulses have no effect on intermodulation.
 (4) Actual performance max. ≤ 2.05 mA +5 to +30°C.

DRAWING/BLOCK DIAGRAM



ULTRA SMALL
and **COMPACT**
size

TELESTE

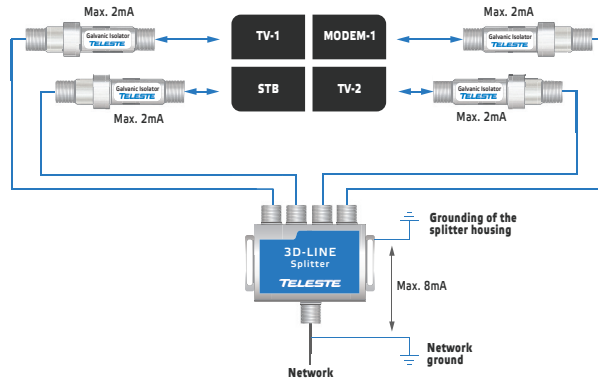
TELESTE CORPORATION
www.teleste.com

Copyright © 2022 Teleste Corporation. All rights reserved. Teleste and the Teleste logo are registered trademarks of Teleste Corporation. Other product and service marks are property of their respective owners. Teleste reserves the right to make changes to any features and specifications of the products without prior notice. Although the information in this document has been reproduced in good faith, the contents of this document are provided "as is". Teleste makes no warranties of any kind in relation to the accuracy, reliability or contents of this document, except as required by applicable law.

WHY

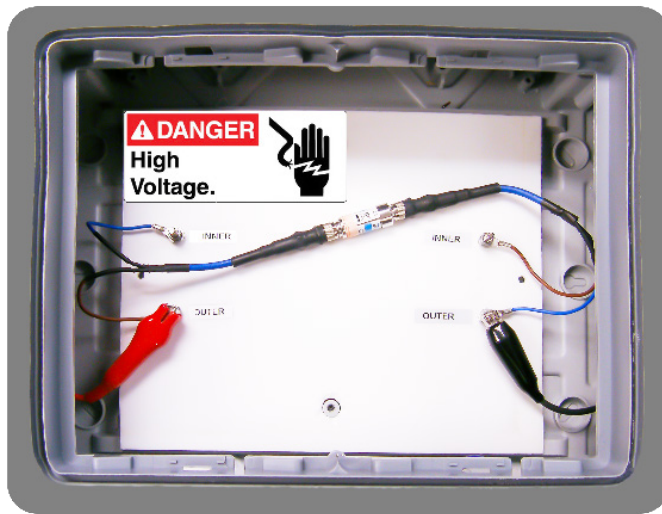
our leakage current specification is
300% BETTER
 than what the standard requires...

According to the standard (IEC 60728-11 sec 10 Safety Requirement @230VAC) the leakage current can be 8 mA maximum. Our leakage current is less than 2mA so much less than required. WHY IS THIS NEEDED? The reason is simple, households might have several galvanic isolators and their leakage currents together should be less than 8 mA. Households equipped with our galvanic isolators can have up to 4 isolators and we are still on the safe side. One galvanic isolator cannot steal all the margin because most households are actively using more than one wall outlet.



SAFETY MATTERS

- Why all our isolators are HI-POT tested in the production...



HI-POTential means high voltage level and high voltage levels can kill. It is extremely important that high voltages do not “break through”. This “break through” could be caused by an insulation that breaks down and causes excessive leakage currents. Something that should not happen, ever. Thus all our products are TESTED and BULLETPROOF against much higher voltages that may exist in real networks.

ORDERING INFORMATION

GISX-100
 GISX101-COVERx5

Galvanic isolator (stand-alone)
 Bulk pack containing 5 pcs of clip-on plastic cover

GISX-CWM
 GISX-CWM-10

Galvanic isolator wall-mount cover
 Galvanic isolator wall-mount cover. Bulk pack containing 10 pcs of plastic covers.

PLASTIC COVER



TELESTE CORPORATION
www.teleste.com

GISX100_20220120

Copyright © 2022 Teleste Corporation. All rights reserved. Teleste and the Teleste logo are registered trademarks of Teleste Corporation. Other product and service marks are property of their respective owners.

Teleste reserves the right to make changes to any features and specifications of the products without prior notice. Although the information in this document has been reproduced in good faith, the contents of this document are provided “as is”. Teleste makes no warranties of any kind in relation to the accuracy, reliability or contents of this document, except as required by applicable law.